



**CESTONE | CESTONE 09** *ANTONIO CITTERIO 2008*  
BEDS/BED ACCESSORIES

---

## CESTONE | CESTONE 09 | ANTONIO CITTERIO | 2008

**Rigid base** in plywood with polyurethane foam padding, covered with a protective laminated fabric

**Base with storage** that opens, metal platform with wood slats

Bedframe in plywood with polyurethane foam padding, covered with a protective laminated fabric

**Base with metal platform** with wood slats, adjustable to four height positions: 1st 4.5 cm, 2nd 7.3 cm, 3rd 9.5 cm, 4th 12.6 cm; double-check there is sufficient space to support the platform inside the bed, as shown in the figure

Bedframe in plywood with polyurethane foam padding, covered with a protective laminated fabric

**Headboard frame** in metal satined, chrome, burnished, black chrome, glossy anthracite

metal and woven hide leather panels: russian red 5008, olive 5006, black 5005, dark brown 5004, dark brown extra 5013, grey 5003, sand 5001, tobacco 5015. Also available in black suede 6005, dark brown suede 6004, olive suede 6003, sand suede 6001. Rests on pads made of thermoplastic material

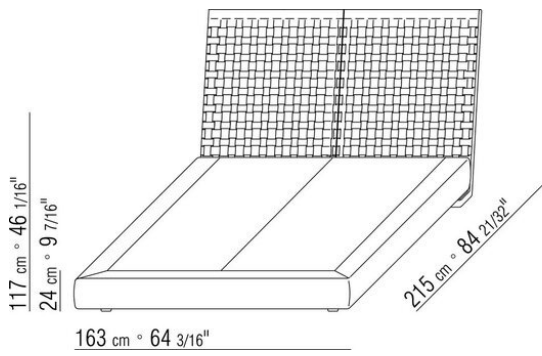
**Feet** in black plastic

**Mattresses** consult the “bed accessories” page

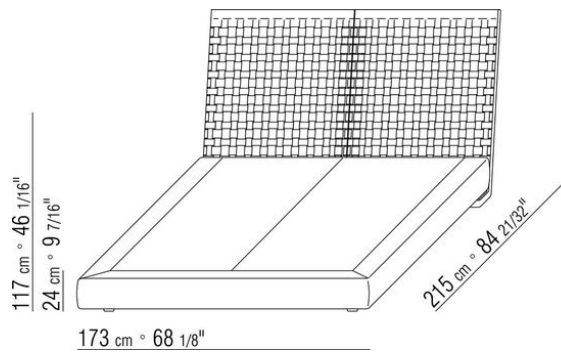
**Upholstery** is removable in both the fabric and leather versions

**Please note: the platform with wooden slats is delivered divided in 2 pieces. Except for the version with storage base.**

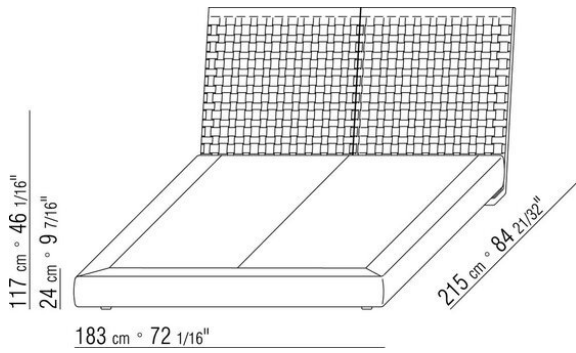
COD. 014LL1



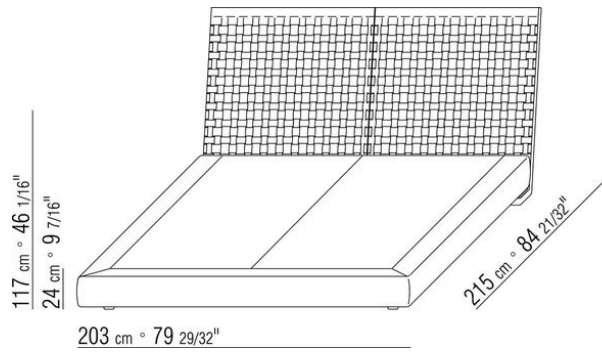
COD. 014LL2



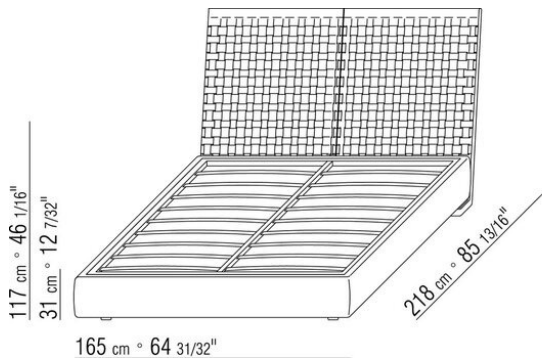
COD. 014LL3



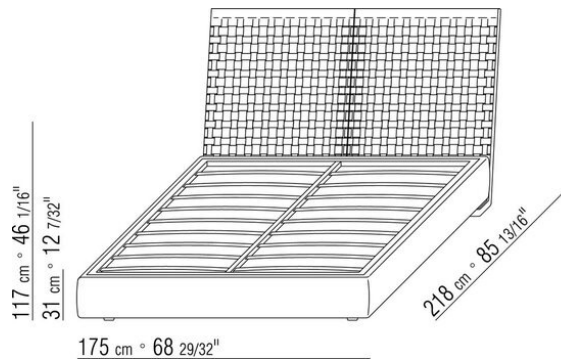
COD. 014LL5



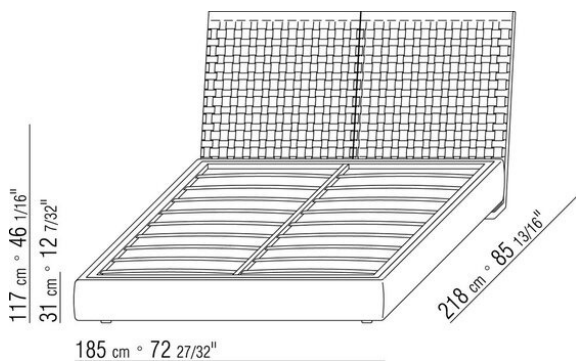
COD. 014LM1



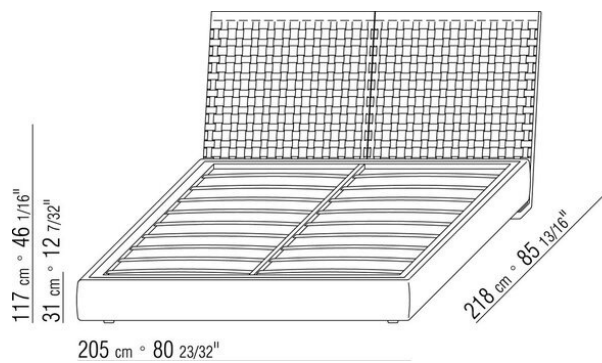
COD. 014LM2



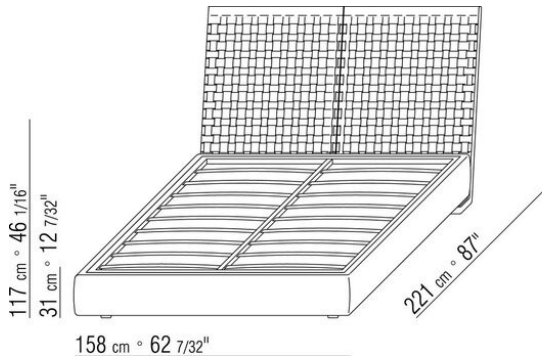
COD. 014LM3



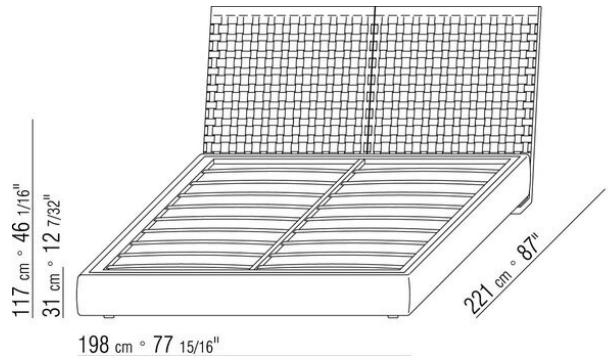
COD. 014LM5



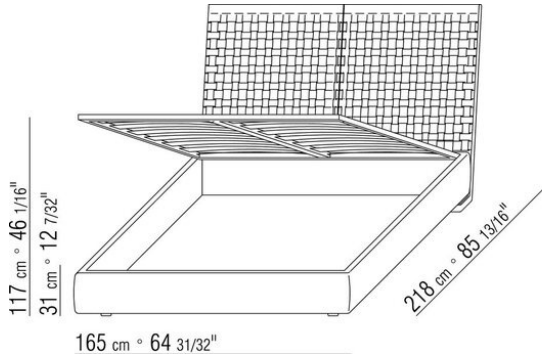
COD. 014LM6



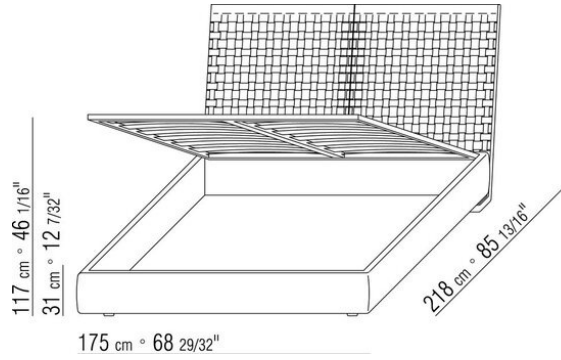
COD. 014LM8



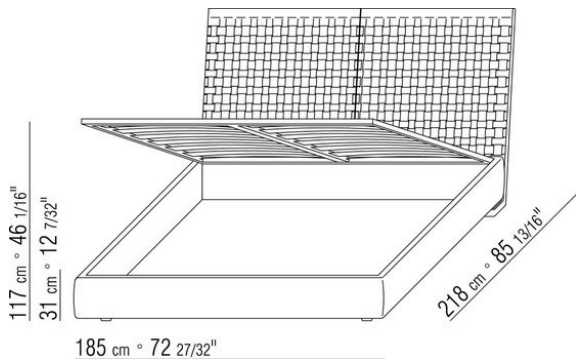
COD. 014LN1



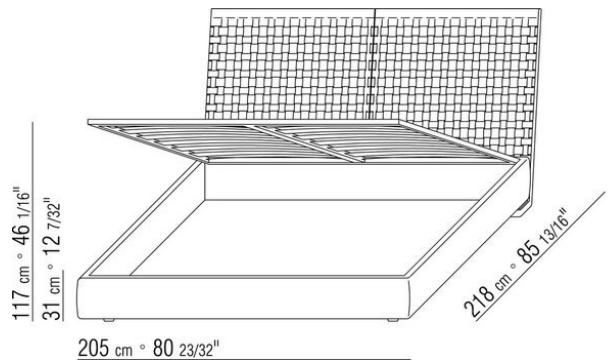
COD. 014LN2



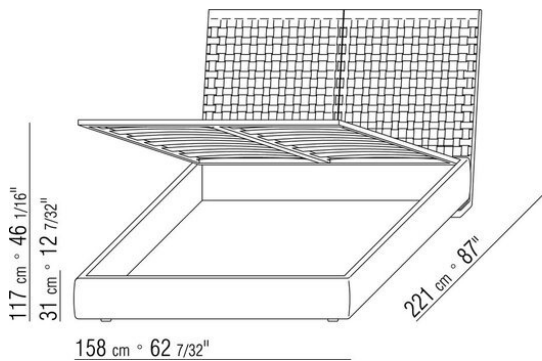
COD. 014LN3



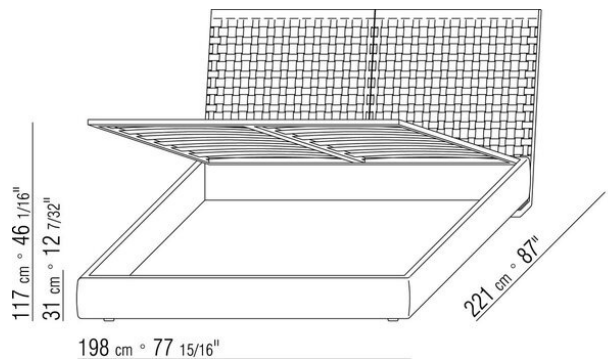
COD. 014LN5



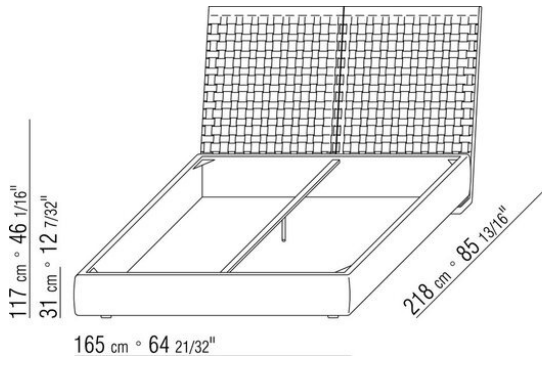
COD. 014LN6



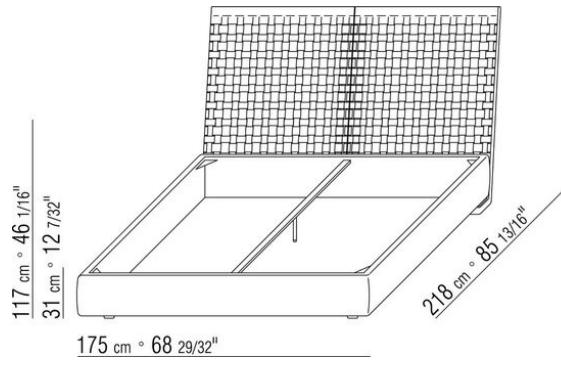
COD. 014LN8



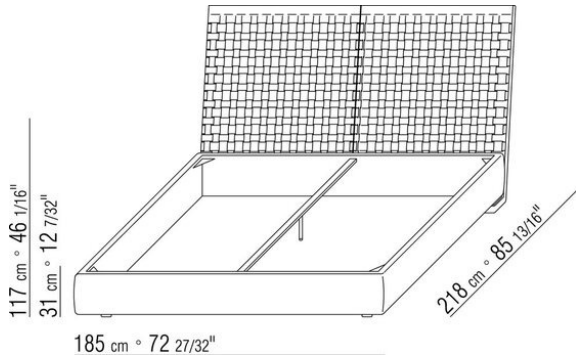
COD. 014LS1



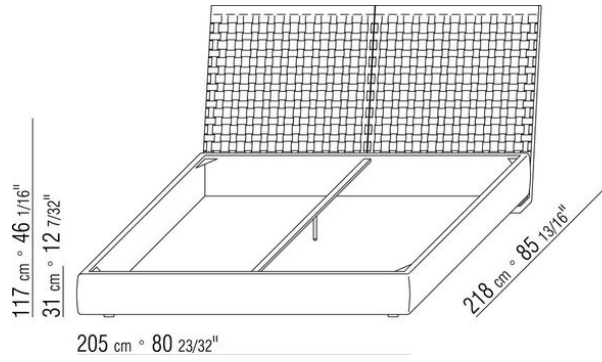
COD. 014LS2



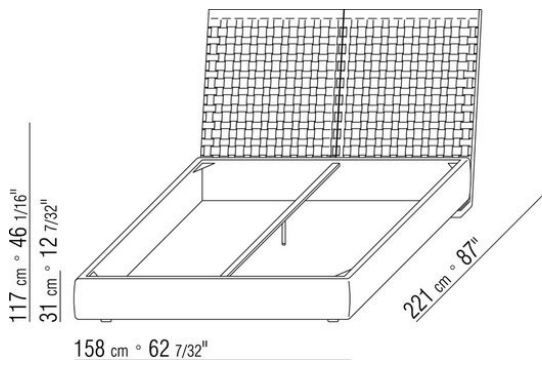
COD. 014LS3



COD. 014LS5



COD. 014LS6



COD. 014LS8

