



MAGNUM *DESIGN CENTER* 2003

BEDS/BED ACCESSORIES

MAGNUM | DESIGN CENTER | 2003

igid base in plywood with polyurethane foam padding, covered with a protective laminated fabric

Base with storage that opens, metal platform with wood slats

Bedframe in plywood with polyurethane foam padding, covered with a protective laminated fabric

Base with metal platform with wood slats, adjustable to four height positions: 1st 4.5 cm, 2nd 7.3 cm, 3rd 9.5 cm, 4th 12.6 cm; double-check there is sufficient space to support the platform inside the bed, as shown in the figure

Bedframe in plywood with polyurethane foam padding, covered with a protective laminated fabric

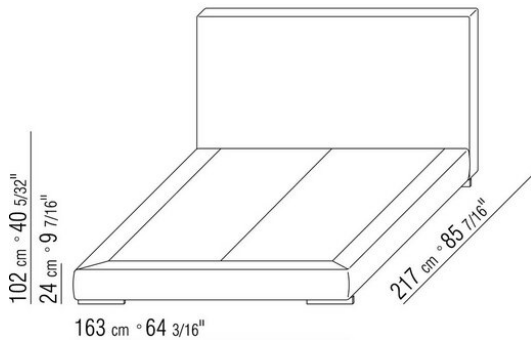
Headboard in solid wood with polyurethane foam padding, covered with a protective laminated fabric

Feet made of glossy transparent methacrylate

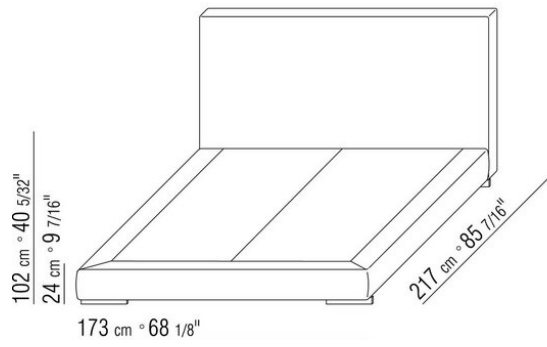
Upholstery is removable in both the fabric and leather versions

Please note: the platform with wooden slats is delivered divided in 2 pieces. Except for the version with storage base

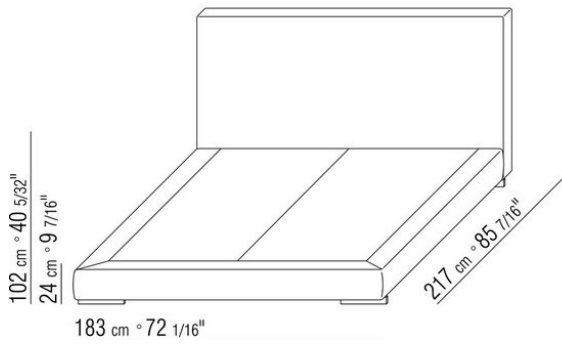
COD. 011UL1



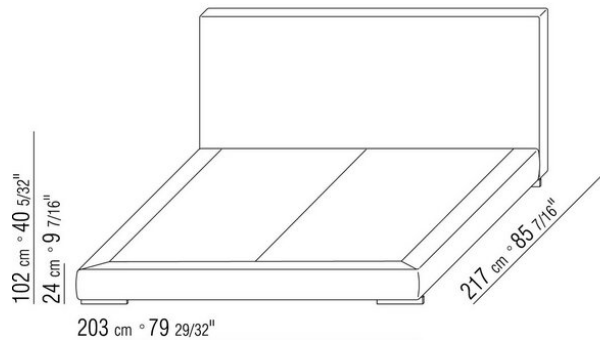
COD. 011UL2



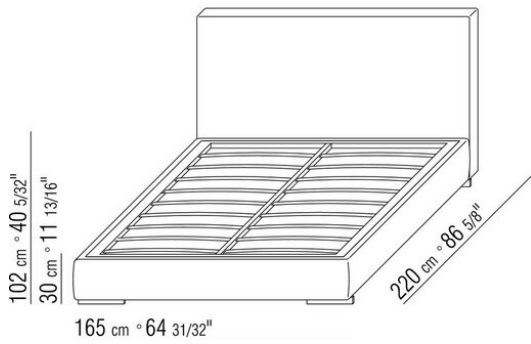
COD. 011UL3



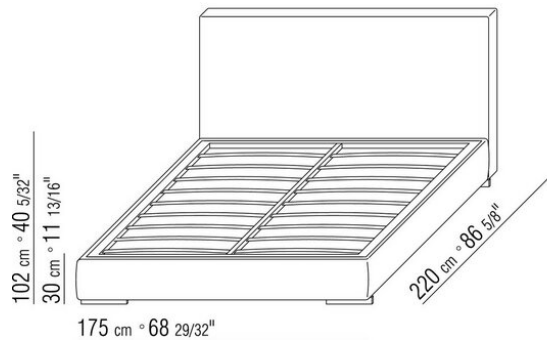
COD. 011UL5



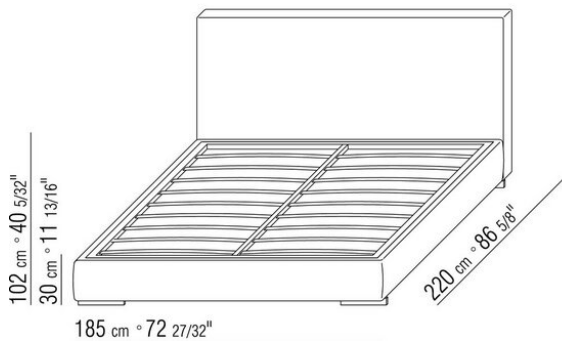
COD. 011UM1



COD. 011UM2



COD. 011UM3



COD. 011UM5

