



**ACADEMY ANTONIO CITTERIO 2022**

TABLES

---

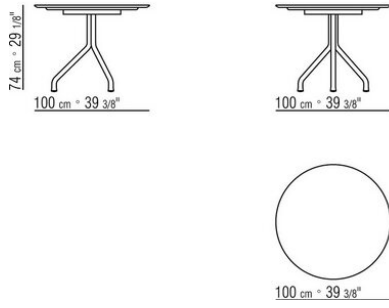
## ACADEMY | ANTONIO CITTERIO | 2022

### TABLE

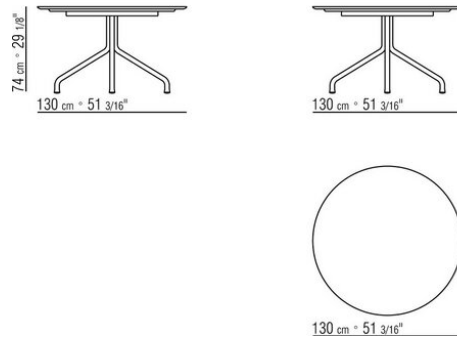
**Structure** in stainless steel in these finishes: satin, chrome, black chrome, burnished, glossy anthracite and white 100; or with matt lacquer finish: sand 610, brick 620, sage green 630, white 160, terracotta 625, forest green 635, black 900  
**Top** in canaletto walnut veneer with natural finish or stained walnut extra; or in ash veneer with natural finish or stained walnut, teak, wenge, ebony or brown; or in these

types of marble: polished calacatta gold, matt calacatta gold, polished white carrara, polished nero marquina, polished emperador, matt emperador, polished emperador light, polished marron damasco, matt marron damasco, polished grey stardust, matt grey stardust  
**Art. 2A183, 2A185, 2A188** not available with marble top  
**Feet** rest on tips made of thermoplastic material

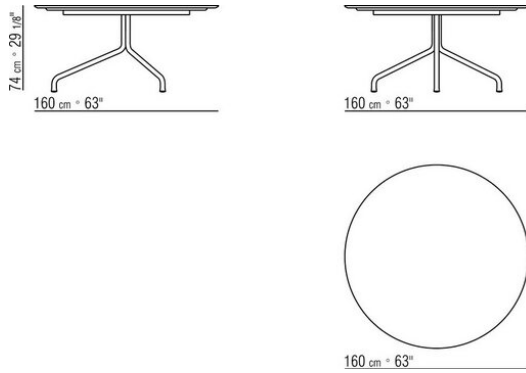
COD. 02A180



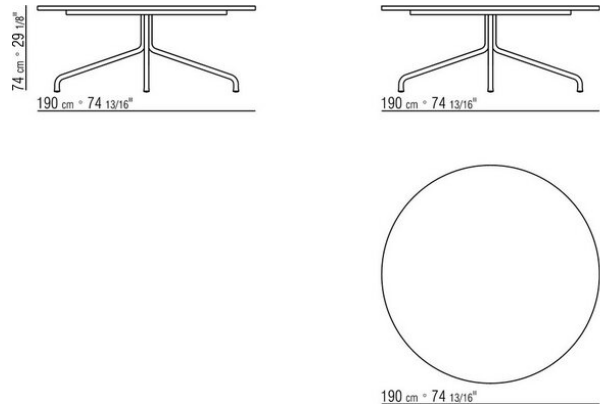
COD. 02A181



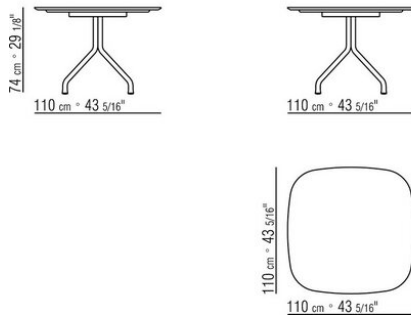
COD. 02A182



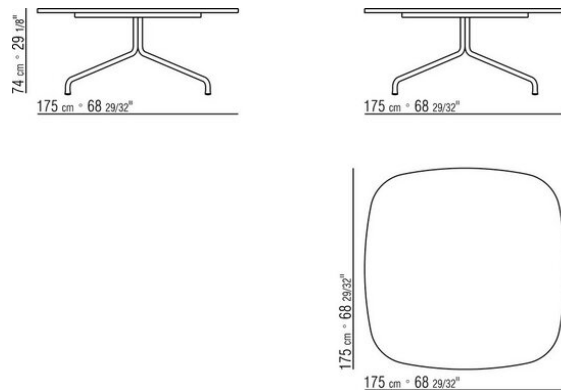
COD. 02A183



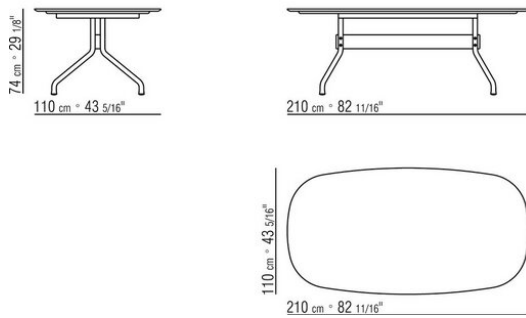
COD. 02A184



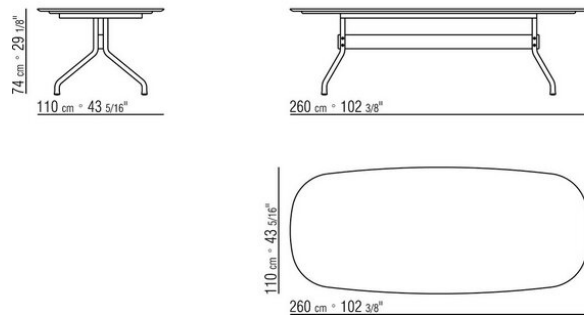
COD. 02A185



COD. 02A186



COD. 02A187



COD. 02A188

