



ELISEO ANTONIO CITTERIO 2022

ARMCHAIRS

ELISEO | ANTONIO CITTERIO | 2022

BERGÈRE – ARMCHAIR – SWIVEL

BERGÈRE – SWIVEL ARMCHAIR

Structure double shell in rigid molded polyurethane and flexible polyurethane foam

Seat cushion in sterilized goose down (Assopiuma certified, gold label) with insert in crushproof, single-density material

Swivel base 4/5 spokes armchair/bergère with 360-degree swivel, in cast aluminum in these finishes: satined, chrome, burnished, black chrome, glossy anthracite

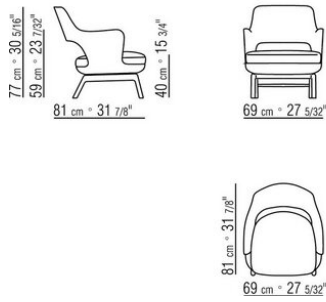
Feet in turned aluminum in the same color as the base. Feet rest on tips made of thermoplastic material

Stationary base armchair/bergère in solid canaletto walnut with natural finish, or stained walnut extra; or, in solid ash with natural finish or stained walnut, teak, wenge, ebony or brown. Feet rest on tips made of thermoplastic material

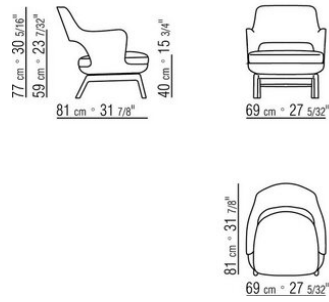
Shell upholstery not removable

Seat cushion upholstery is removable in both the fabric and leather versions

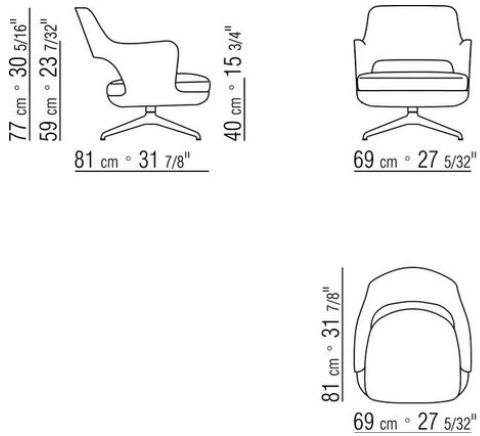
COD. 029621



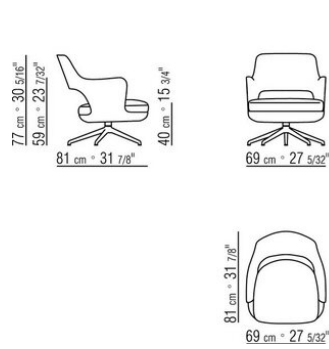
COD. 029622



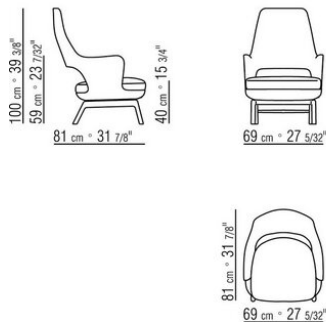
COD. 029624



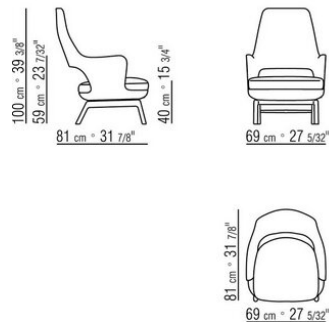
COD. 029625



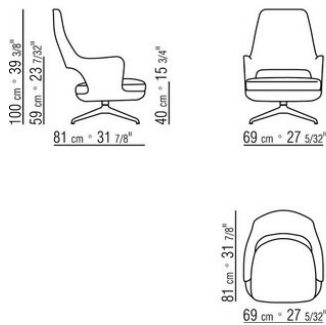
COD. 029631



COD. 029632



COD. 029634



COD. 029635

