



**GUSCIOALTO** *ANTONIO CITTERIO 2011*  
ARMCHAIRS

---

## GUSCIOALTO | ANTONIO CITTERIO | 2011

**Structure** in rigid polyurethane and polyurethane foam

**Seat cushions** in sterilized goose down (Assopiuma certified, gold label) with insert in crushproof material

**Backrest cushion only for Guscioalto Light** in polyurethane foam and dacron

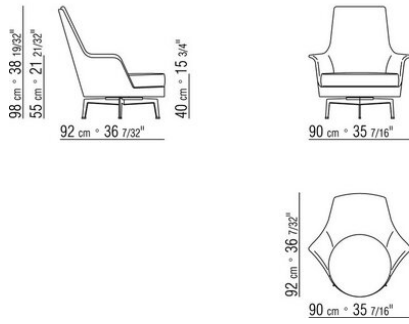
**Feet** in satined, chrome, burnished, black chrome, glossy anthracite metal with turning system. Or solid canaletto walnut, canaletto walnut extra, Ashwood natural, stained teak, stained ebony, stained wenge, stained walnut, stained brown. Rests on pads made of thermoplastic material

**Headrest cushion** in sterilized goose down (Assopiuma certified, gold label) with counterweight in metal with satin, chrome, black chrome, burnished, glossy anthracite finish. The headrest cushion is optional, upon request, with upcharge

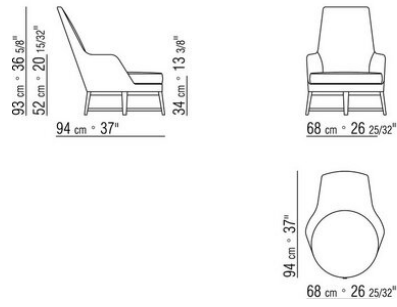
**Upholstery** is non-removable in both the fabric and leather versions. The possibility to use a fabric has to be checked in advance with Flexform

**Piping** - only for Guscioalto Light - comes in gros grain, available in all the colors on the sample board. With leather covers the piping comes always in the same leather

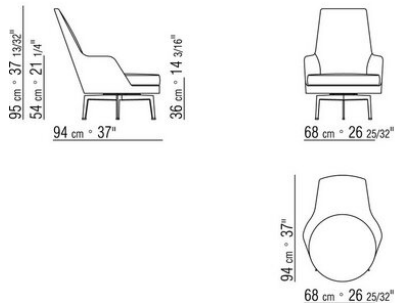
COD. 015M21



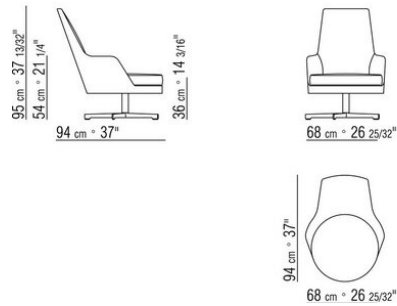
COD. 015M31



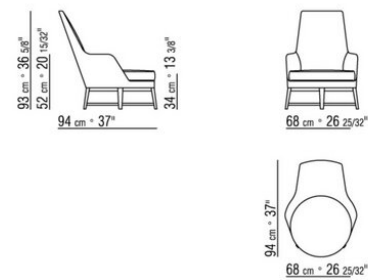
COD. 015M41



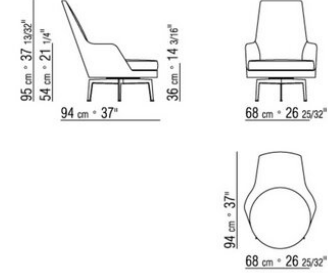
COD. 015M42



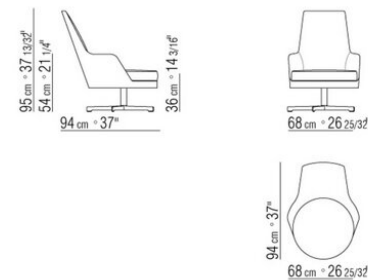
COD. 015M13



COD. 015M11



COD. 015M12



COD. 015M99

