



ARNOLD ANTONIO CITTERIO 2024
COFFEE AND SIDE TABLES

ARNOLD | ANTONIO CITTERIO | 2024

Coffee table

Top in Canaletto walnut veneer with raw-wood effect, natural, or stained walnut extra finish; or in ash with natural finish or stained walnut, stained teak, stained wenge, stained brown or stained ebony; or in oak with raw-wood effect finish. The dining tables contain reinforcing metal inserts

Top in backpainted glass optional for tables and coffee tables available exclusively in the following combinations: glossy Silk glass 2010 for natural ash and oak raw-wood effect finishes; glossy Cocoa glass 2025 for Canaletto walnut raw-wood

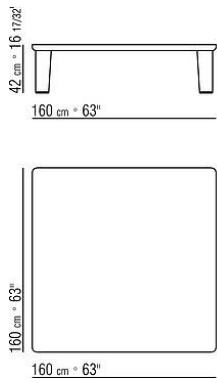
effect, natural Canaletto walnut, ash stained walnut, ash stained teak finishes; glossy Coffee glass 2030 for Canaletto walnut extra, ash stained wenge finishes; glossy Black glass 2040 for ash stained brown and ash stained ebony finishes.

Upon request, with upcharge

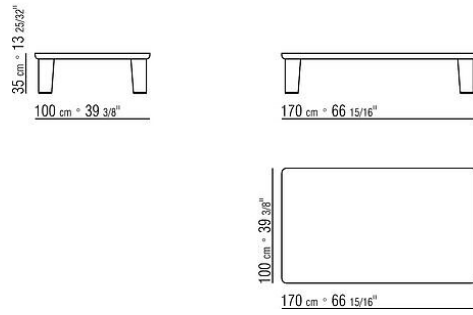
Legs in solid Canaletto walnut, solid ash or solid oak in the same finishes as the top. Internal steel supports

Feet in die-cast zama in satin, chrome, black chrome, burnished, glossy anthracite or matt titanium 710 finish. Rests on felt pads

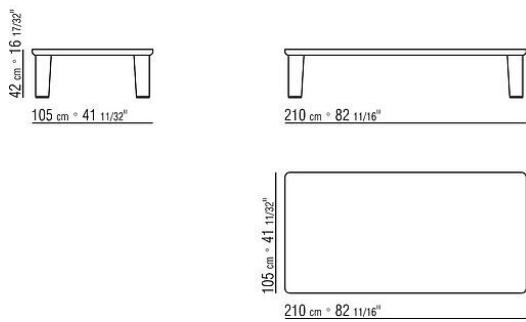
COD. 02C563



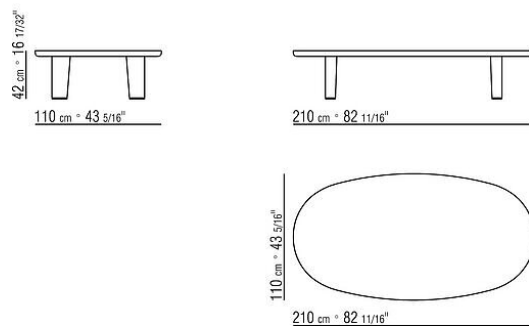
COD. 02C565



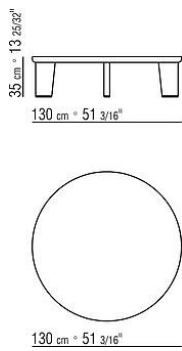
COD. 02C566



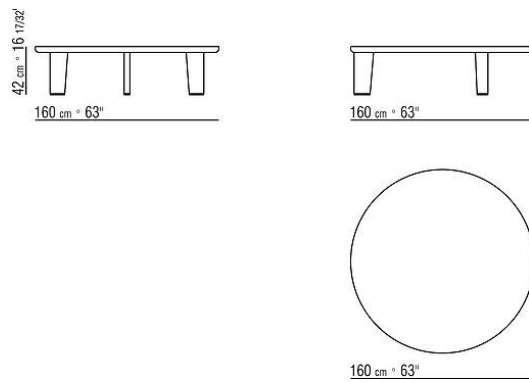
COD. 02C569



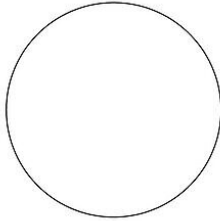
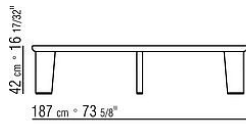
COD. 02C571



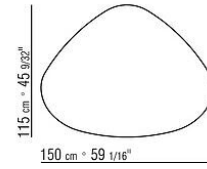
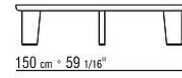
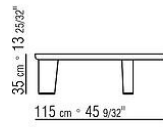
COD. 02C572



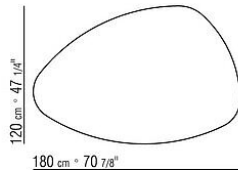
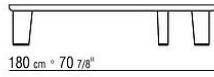
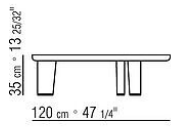
COD. 02C573



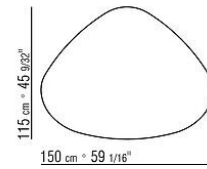
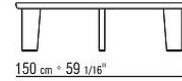
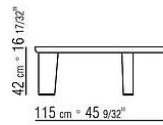
COD. 02C574



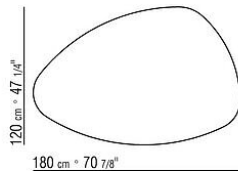
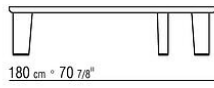
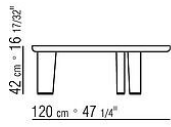
COD. 02C575



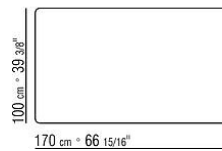
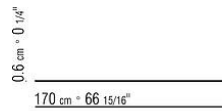
COD. 02C577



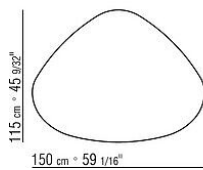
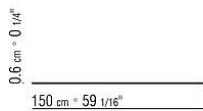
COD. 02C578



COD. 02C545



COD. 02C554



COD. 02C555

