



**PICO DESIGN CENTER 2020**  
**COFFEE AND SIDE TABLES**

---

## PICO | DESIGN CENTER | 2020

### SMALL TABLE

**Structure** in burnished or glossy anthracite aluminum

**Finish plus version structure** in aluminum with satin, chrome or black chrome finish

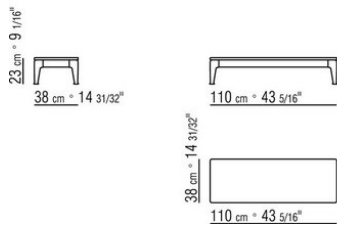
**Top** in the following types of marble  
polished calacatta gold, matt calacatta gold, polished white carrara, polished nero marquina, polished emperador, matt emperador, polished emperador light, polished marron damasco, matt marron damasco, polished grey stardust, matt

grey stardust. Or in wood veneer: canaletto walnut natural or stained extra; or ashwood natural, stained walnut, teak, wenge, ebony or brown

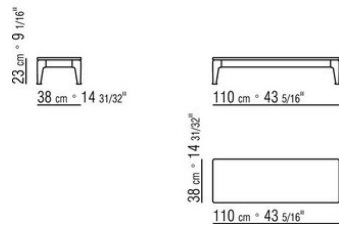
**Legs** in cast aluminum with burnished or glossy anthracite finish. Feet rest on tips made of thermoplastic material

**Finish plus version legs** in cast aluminum with satin, chrome or black chrome finish. Feet rest on tips made of thermoplastic material

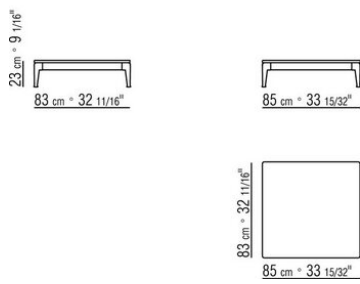
COD. 028361



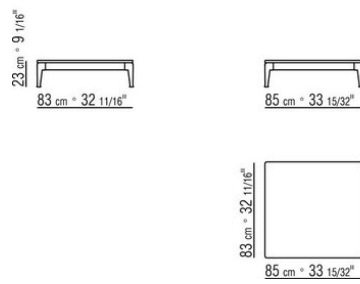
COD. 028371



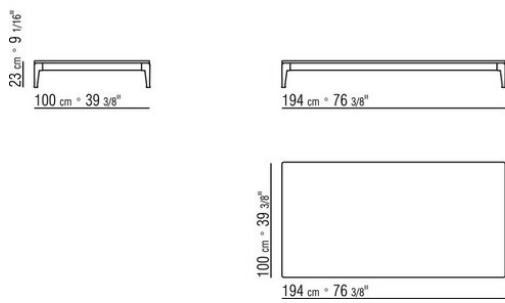
COD. 028362



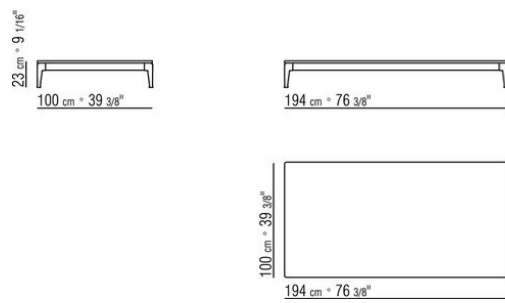
COD. 028372



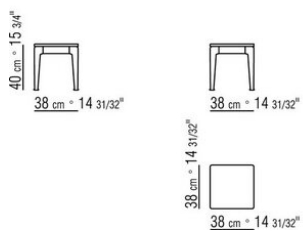
COD. 028363



COD. 028373



COD. 028364



COD. 028374

