



PARKER ANTONIO CITTERIO 2022
STAND-ALONE SOFAS

PARKER | ANTONIO CITTERIO | 2022

SOFA

Structure in solid canaletto walnut with natural finish or stained extra; or in solid ash with natural finish or stained walnut, teak, wenge, ebony or brown, and metal frame with epoxy powder-coat finish, with support in anthracite color elastic webbing

Hand-woven cord in twisted paper rush; or, in woven cowhide cord in these colors: black, dark brown, tobacco, natural, olive, grey, russian red

Seat cushions in polyester fiber with insert in crushproof variable-density material

Backrest cushions in polyester fiber

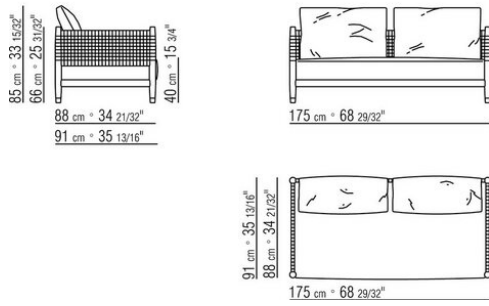
Optional cushions in polyester fiber. Upon request, with upcharge

Feet in die-cast zama in these finishes: satin, chrome, burnished, black chrome, glossy anthracite. Feet rest on tips made of thermoplastic material

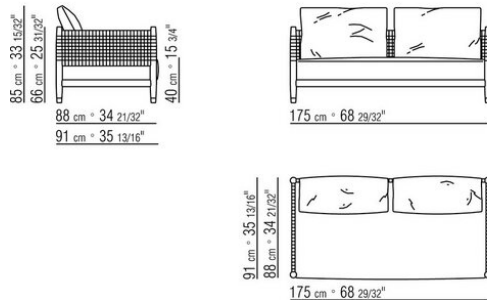
Seat/backrest cushion upholstery is removable in both the fabric and leather versions

Upholstery piping tailored detailing includes grosgrain piping that can be crafted in all the colors on the sample board

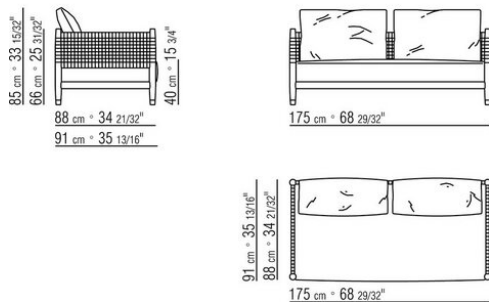
COD. 029503



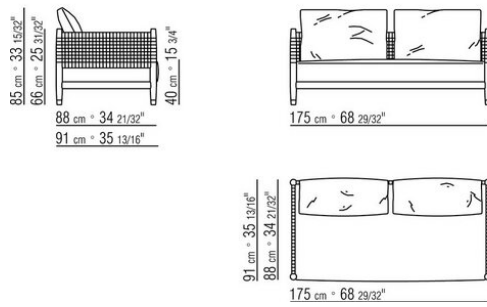
COD. 029506



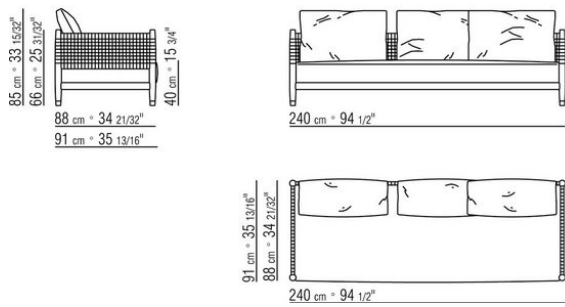
COD. 029513



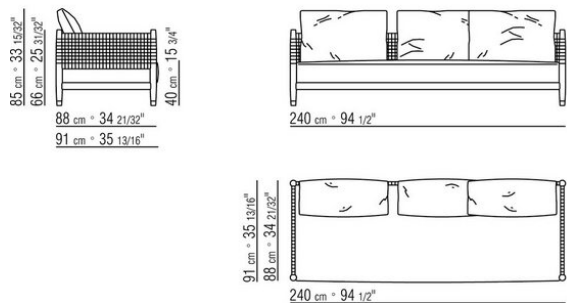
COD. 029516



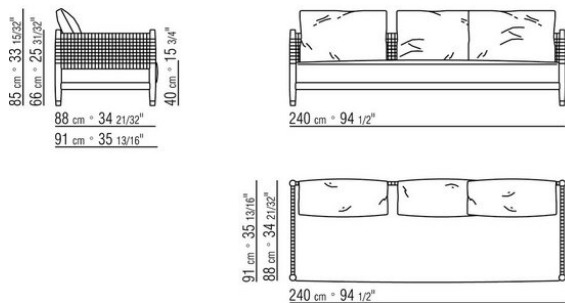
COD. 029504



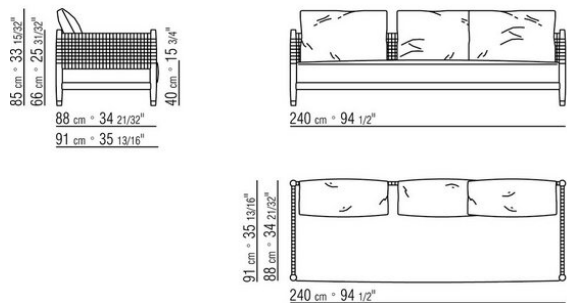
COD. 029507



COD. 029514

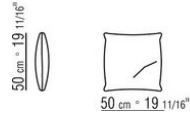
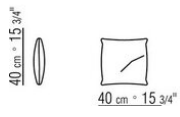


COD. 029517



COD. 029597

COD. 029598



COD. 029599

