

FLEXFORM



ATLANTE LIGHT | ATLANTE WOOD *ANTONIO CITTERIO 2022*
DAYBEDS

FLEXFORM Spa

Via Einaudi 23/25 20821 Meda (MB) Italy | Tel. +39 0362 3991 | info@flexform.it | www.flexform.it

ATLANTE LIGHT | ATLANTE WOOD | ANTONIO CITTERIO | 2022

ATLANTE LIGHT

Structure in cast aluminum, epoxy powder-coat finish in colors: white 100, wine red 405, khaki green 705, burnished, grey; or, in embossed lacquered finish in white 300, sand 310, brick 320, sage green 330, terracotta 325, forest green 335, charcoal 350. Backrest recliner system with integrated bracket

Mesh in batyline® fabric in colors: almond 9610, caramel 9520, cloud 9530, siena 9540, ivy 9550, jungle 9560, clay 9570, shadow 9580. With water-repellent elastic webbing support in colors: sand 9001, grey 9003, anthracite 9005, black 9009; attached with steel rod

Seat cushion in polyester fiber covered in water repellent fabric. Upon request, with upcharge

Feet in cast aluminum with epoxy powder-coat finish in the same color as the structure. Rests on tips made of thermoplastic material

Castors 26 cm diameter, in cast aluminum with epoxy powder-coat finish in the same color as the structure. With profile in grey thermoplastic material

Seat cushion upholstery in removable fabric

Cover in waterproof material; cover is upon request, with upcharge

ATLANTE WOOD

Structure in cast aluminum, epoxy powder-coated in colors: white 100, wine red 405, khaki green 705, burnished, glossy grey 715; or, in embossed lacquered finish in white 300, sand 310, brick 320, sage green 330, terracotta 325, forest green 335, charcoal 350. Backrest recliner system with integrated bracket.

Seat and backrest in solid iroko slats, natural finish, stained grey, stained brown, or lacquered white finish.

Seat cushion in polyester fiber upholstered in water-repellent fabric. Upon request, with upcharge.

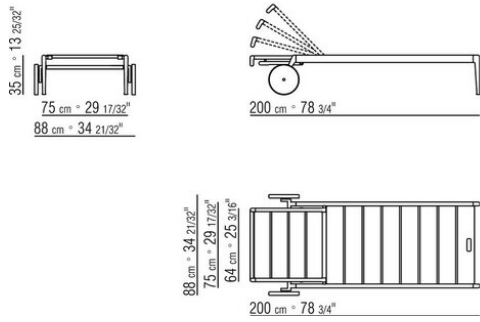
Feet in cast aluminum with epoxy powder-coat finish in the same color as the structure. Feet rest on tips made of thermoplastic material.

Wheels 26 cm diameter, in cast aluminum with epoxy powder-coat finish in the same color as the structure. With profile in grey thermoplastic material.

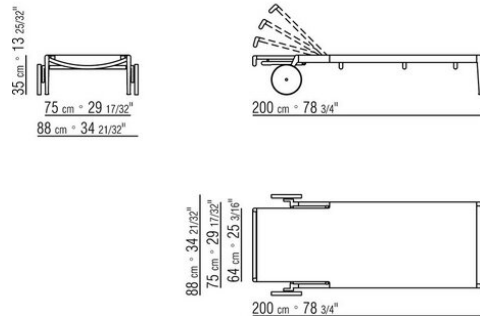
Upholstery in removable fabric.

Cover in waterproof material. Cover is upon request, with upcharge.

COD. 02A4G8



COD. 02A4G9



COD. 02A4M9

