



**ANSEL ANTONIO CITTERIO 2020**  
**STAND-ALONE SOFAS**

---

## ANSEL | ANTONIO CITTERIO | 2020

**Structure** in 316 stainless steel with epoxy-powder-coat finish in the following colors: white 100, wine red 405, khaki green 705, electropolished or burnished or with embossed lacquered finish in white 300, sand 310, brick 320 and sage green 330; and upholstered with water-repellent elastic webbing in sand 9001, gray 9003, anthracite 9005, black 9009 color

**Seat cushion** in polyester fiber with insert in single-density crushproof material, covered in water repellent fabric

**Backrest and armrest** in solid iroko wood with natural finish, stained grey, stained brown. Supports and screws in 316 stainless steel, spacers in die-cast zama with transparent epoxy powder-coat finish

**Backrest cushions / bolster** in polyester fiber with water-repellent upholstery

**Optional cushions** in polyester fiber and water-repellent upholstery; upon request, with upcharge

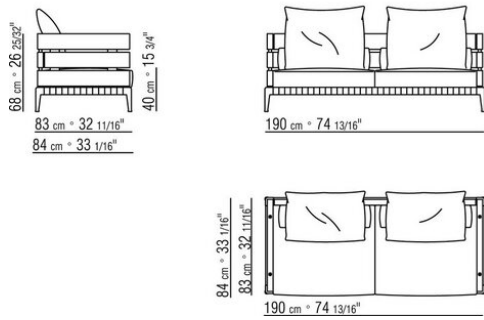
**Feet** in cast aluminum with epoxy powder-coat finish in the following colors: white 100, wine red 405, khaki green 705, electropolished or burnished or with embossed lacquered finish in white 300, sand 310, brick 320 and sage green 330. Feet rest on tips made of thermoplastic material

**Upholstery** in removable fabric

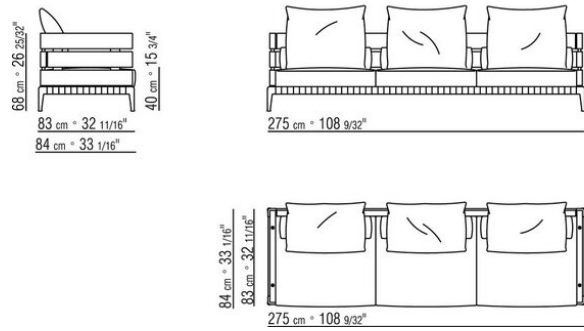
**Upholstery piping** tailoring includes grosgrain piping that can be crafted in all the colors on the sample board

**Cover** in waterproof material; cover is upon request, with upcharge

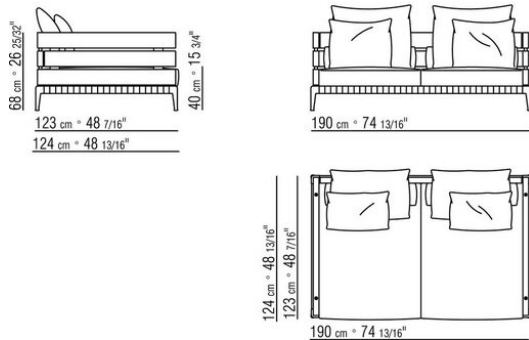
COD. 0277A3



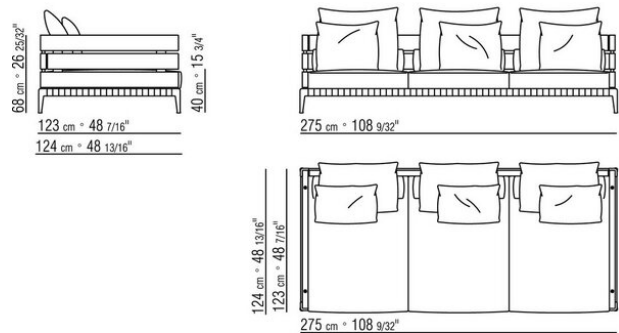
COD. 0277A5



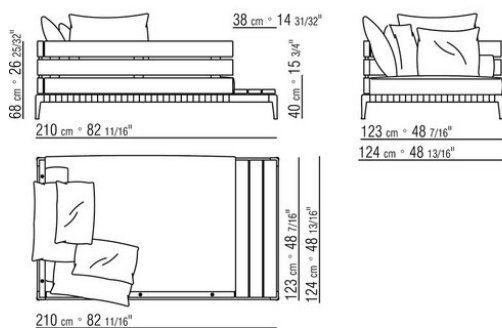
COD. 0277A7



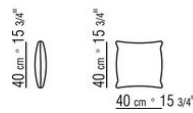
COD. 0277A9



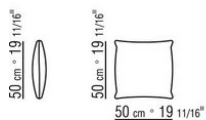
COD. 0277D5



COD. 0277M7



COD. 0277M8



COD. 0277M9

