



MILOS ANTONIO CITTERIO 2023
SECTIONAL SOFAS

MILOS | ANTONIO CITTERIO | 2023

Structure in aluminum, epoxy powder-coated in colors: white 100, wine red 405, khaki green 705, burnished, glossy grey 715; or, in embossed lacquered finish in white 300, sand 310, brick 320, sage green 330, terracotta 325, forest green 335, charcoal 350. Water-repellent elastic webbing in these colors: sand 9001, grey 9003, anthracite 9005, black 9009, salt and pepper 9017. Internal steel supports. Rests on feet made of thermoplastic material

Backrest and armrest in solid iroko with natural finish, stained grey, stained brown, or lacquered white

Seat cushion in polyurethane foam and polyester fiber covered with a protective, water-repellent laminated fabric

Backrest cushion in polyester fiber with water-repellent upholstery

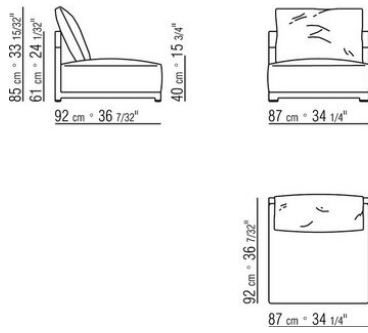
Optional cushions / bolsters in polyester fiber with water-repellent upholstery. Upon request, with upcharge

Upholstery piping tailored detail includes grosgrain piping that can be crafted in all the colors on the sample board

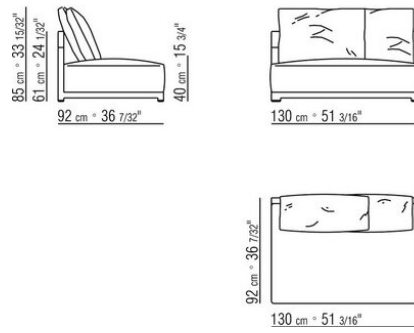
Upholstery in removable fabric

Cover in waterproof material. Cover is upon request, with upcharge

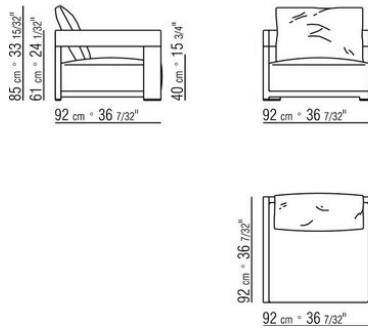
COD. 02B3A3



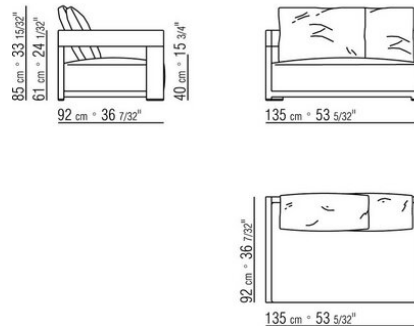
COD. 02B3A4



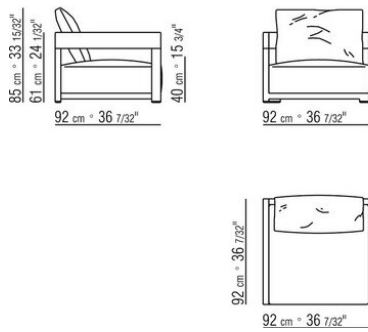
COD. 02B3B1



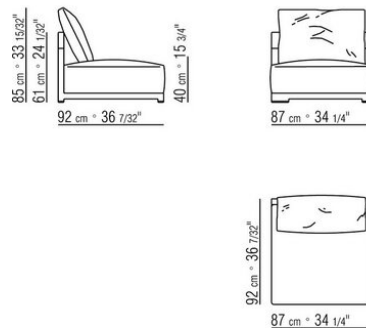
COD. 02B3B3



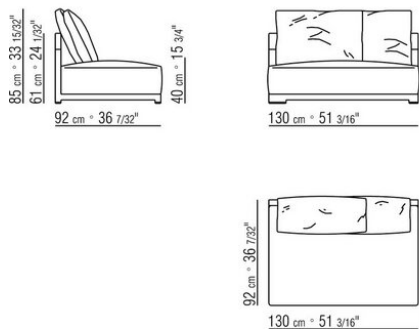
COD. 02B3C1



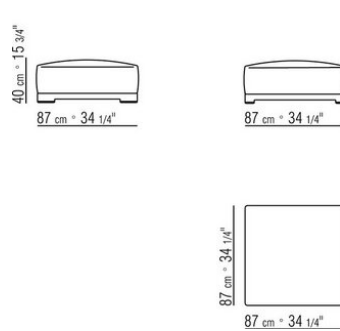
COD. 02B3F1



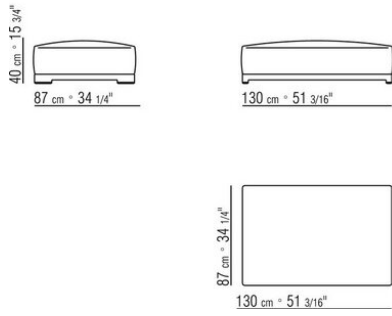
COD. 02B3F3



COD. 02B3G0



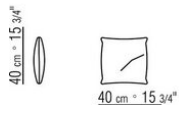
COD. 02B3G1



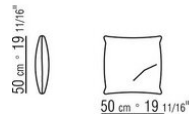
COD. 02B3M6



COD. 02B3M7



COD. 02B3M8



COD. 02B3M9

