



ONTARIO *ANTONIO CITTERIO 2020*
SECTIONAL SOFAS

ONTARIO | ANTONIO CITTERIO | 2020

Structure in solid iroko wood with natural, stained grey, lacquered white, stained brown finish. Spacers in die-cast zama with transparent epoxy powder-coat finish

Base in epoxy powder-coat 316 stainless steel and compact laminated panel. Feet rest on tips made of thermoplastic material

Seat cushion in polyurethane foam and polyester fiber covered with a protective, water-repellent laminated fabric

Backrest cushion in polyurethane foam and polyester fiber, with water repellent

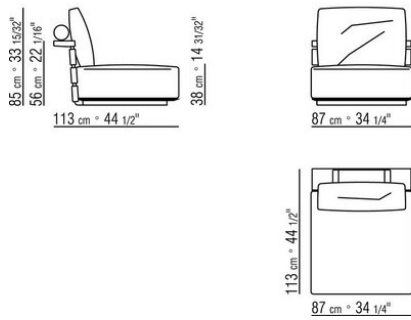
upholstery. Bolster in polyurethane foam and polyester fiber, with water repellent upholstery

Optional cushions in polyurethane foam and polyester fiber, with water repellent upholstery. Upon request, with upcharge

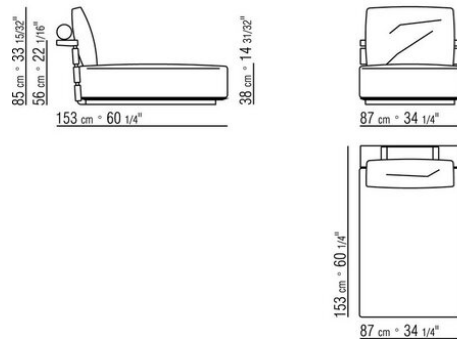
Upholstery in removable fabric

Cover in waterproof material; cover is upon request, with upcharge

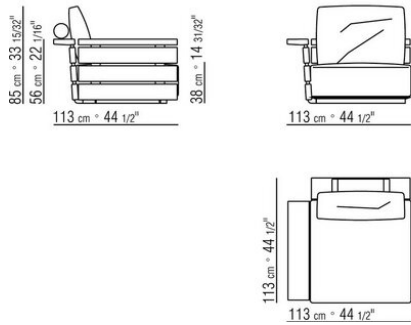
COD. 0279A2



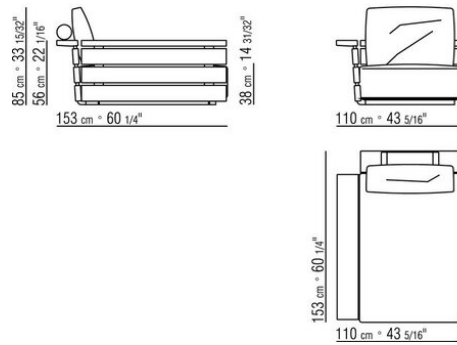
COD. 0279A4



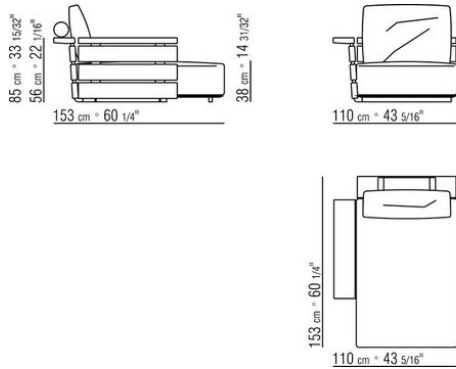
COD. 0279B1



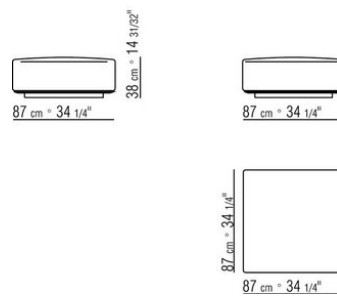
COD. 0279B5



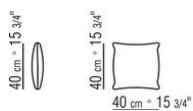
COD. 0279D5



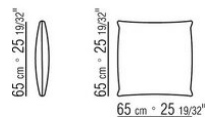
COD. 0279G0



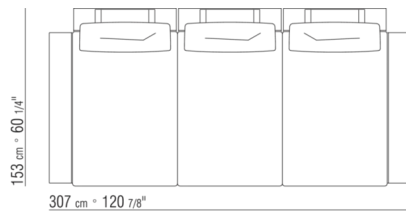
COD. 0279M7



COD. 0279M9

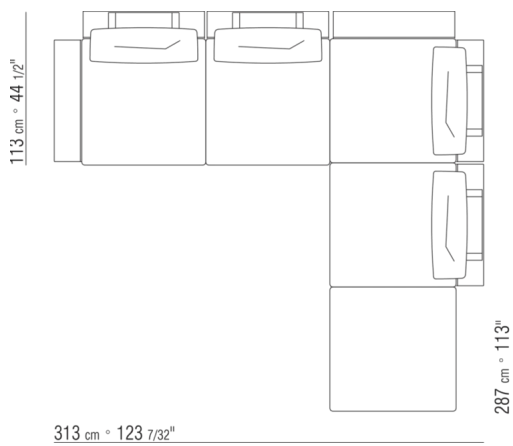


0279XA



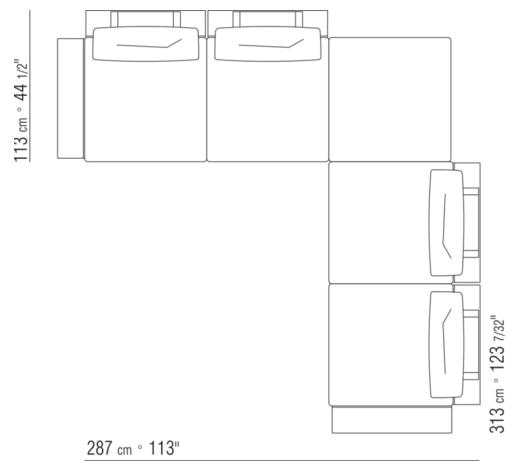
- N.1 COD.0279B5 - END UNIT L CM.110 x153
- N.1 COD.0279A4 - UNIT CM.87 x153
- N.1 COD.0279B4 - END UNIT R CM.110 x153

0279XB



- N.2 COD.0279B1 - END UNIT L CM.113 x113
- N.2 COD.0279A2 - UNIT CM.87 x113
- N.1 COD.0279G0 - OTTOMAN CM.87 x87

0279XC



- N.1 COD.0279B1 - END UNIT L CM.113 x113
- N.2 COD.0279A2 - UNIT CM.87 x113
- N.1 COD.0279G0 - OTTOMAN CM.87 x87
- N.1 COD.0279B0 - END UNIT R CM.113 x113