



ZANTE *DESIGN CENTER* 2019
SECTIONAL SOFAS

ZANTE | *DESIGN CENTER* | 2019

Structure in solid iroko wood with natural finish, stained grey, stained brown, lacquered white

Base in epoxy powder-coated stainless steel 316. Rests on pads made of thermoplastic material

Seat cushion in polyurethane foam covered in a protective, water-repellent laminated fabric

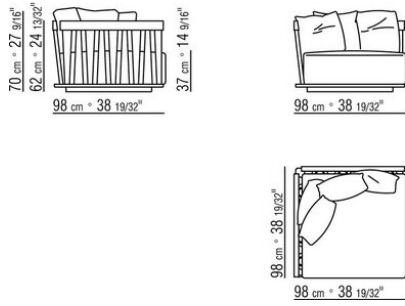
Backrest cushion in polyurethane foam and polyester fiber covered with a protective, water-repellent laminated fabric

Optional cushions in polyester fiber with water-repellent upholstery. Optional cushions are upon request, with upcharge

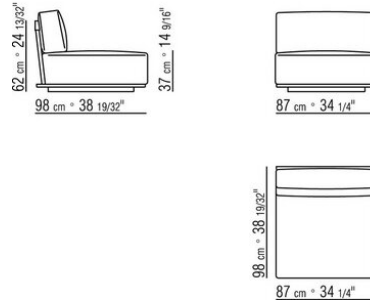
Upholstery in removable fabric

Cover in waterproof material; the cover is upon request, with upcharge

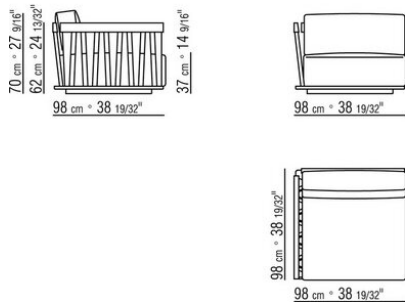
COD. 0257A1



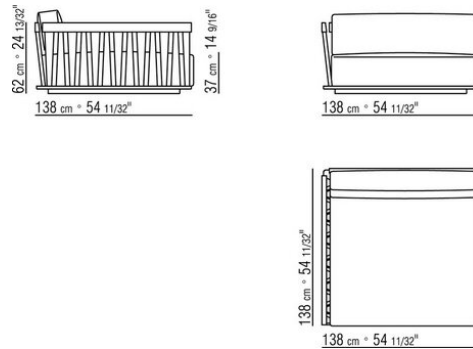
COD. 0257A3



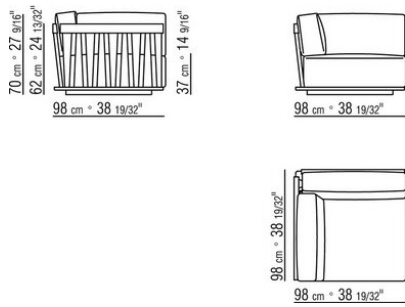
COD. 0257B1



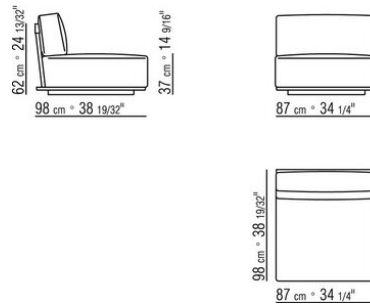
COD. 0257B5



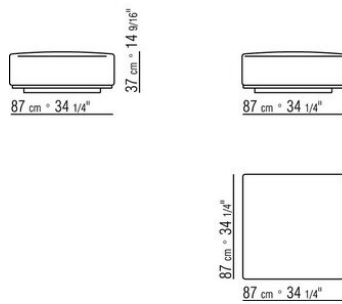
COD. 0257C0



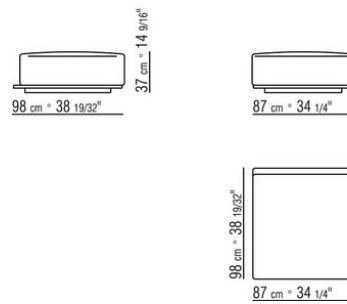
COD. 0257F1



COD. 0257G0



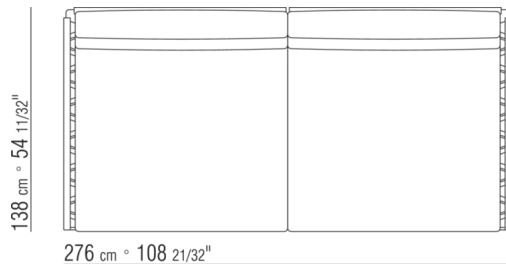
COD. 0257G1



0257XA

N.1 COD.0257B5 - END UNIT L CM.138 x138

N.1 COD.0257B4 - END UNIT R CM.138 x138

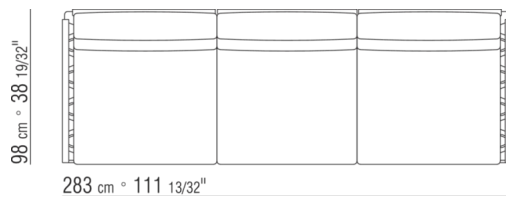


0257XB

N.1 COD.0257B1 - END UNIT L CM.98 x98

N.1 COD.0257B0 - END UNIT R CM.98 x98

N.1 COD.0257A3 - UNIT CM.87 x98



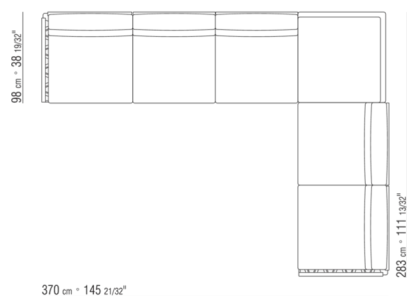
0257XC

N.1 COD.0257B1 - END UNIT L CM.98 x98

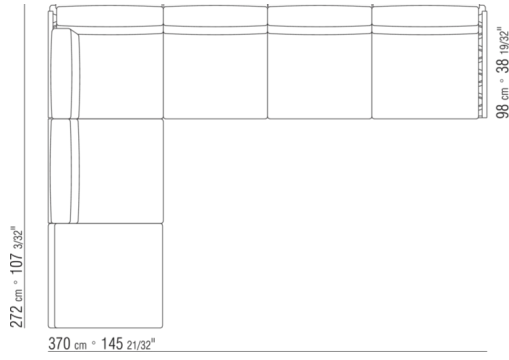
N.1 COD.0257B0 - END UNIT R CM.98 x98

N.3 COD.0257A3 - UNIT CM.87 x98

N.1 COD.0257G2 - OTTOMAN CORNER CM.98 x98



0257XD



- N.1 COD.0257B0 - END UNIT R CM.98 x98
- N.1 COD.0257C0 - CORNER CM.98 x98
- N.3 COD.0257A3 - UNIT CM.87 x98
- N.1 COD.0257G1 - OTTOMAN END UNIT CM.87 x98